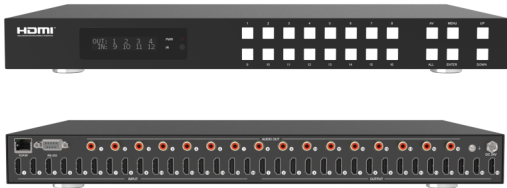


Matrix-16X16-H2

HDMI matrix 16x16



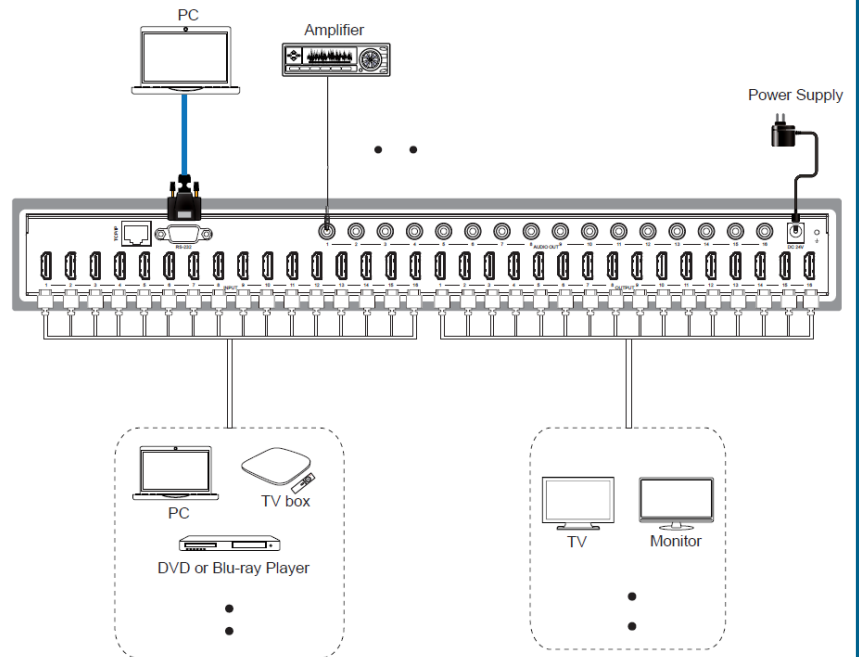
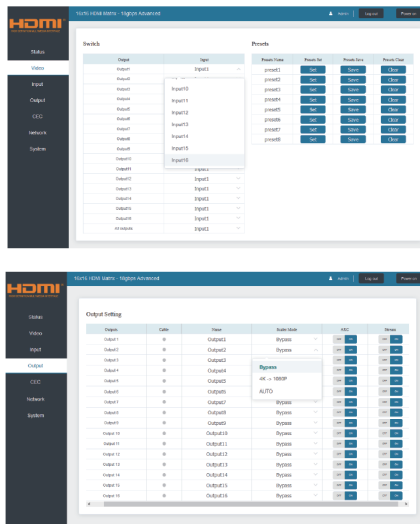
FEATURES:

- Supports up to 3840x2160 input & output
- HDCP 2.2 compliant
- RS232 control & GUI

The 18Gbps 16x16 HDMI Matrix supports the transmission of video (resolution up to 4K2K@ 60Hz YUV 4:4:4) and multi-channel high resolution digital audio from 16 HDMI sources to 16 HDMI displays. Audio de-embedded to coaxial audio is supported from 16 HDMI output ports. While HDMI output ARC function is enabled, the ARC audio from HDMI display devices will be extracted to coaxial audio output. Each HDMI output of this 16x16 HDMI Matrix supports 4K2K to 1080P downscaler independently. Control via front panel buttons, IR remote, RS-232, LAN and Web GUI.

Diagram

16x16 Matrix



SPECIFICATIONS:

Input	16 x HDMI
Output	16 x HDMI
Resolution	4K2K@24/25/30/60Hz
HDMI Standard	2.0
HDCP Version	2.2, 1.4 compliant
RS232	3-pin pluggable connector for RS-232 control of the Switcher
HDMI 2.0	4K@60Hz 4:4:4
HDR Support	HDR10, HDR10+. Dolby Vision, HLG
Coaxial Audio Formats	LPCM 2.0, Dolby Digital / Plus, DTS 5.1
L/R Audio Formats	PCM2.0CH
Power Supply	Input: AC100 - 240V 50/60Hz, Output: DC 24V/3.75A
Power Consumption	76.8 W (Max)
Dimensions	440mm (W)×200mm (D)×44mm (H)
Weight	3100 gram

Matrix-16X16-H2



GeMNeXT is brand of

AVDIS B.V.
Ambachtstraat 3A
3732 CN DE BILT

The Netherlands

www.gemnext.com

info@gemnext.com

+31- (0)85 2100 614