

CAB-MM-HFO

CAB-10-HFO, CAB-15-HFO, CAB-20-HFO, CAB-30-HFO, CAB-50-HFO



The **CAB-MM-HFO** is an HDMI active optical cable (AOC) with high performance and low power consumption. Using optical fiber to replace copper wire as the high-speed signal transmission medium can reach longer lengths.

This cable is a plug and play device without need for driver install.

Cable lengths : 10m/20m/30m/50m/100m customized for ultra-long length

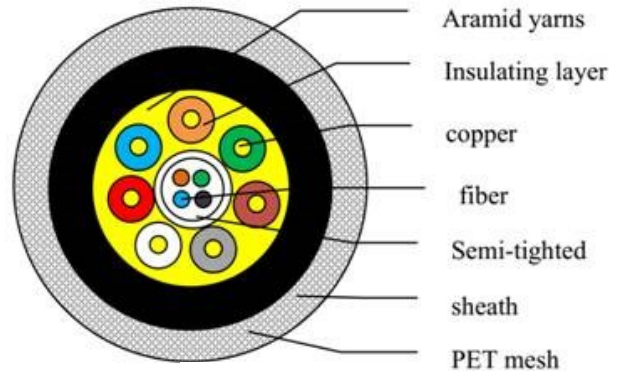
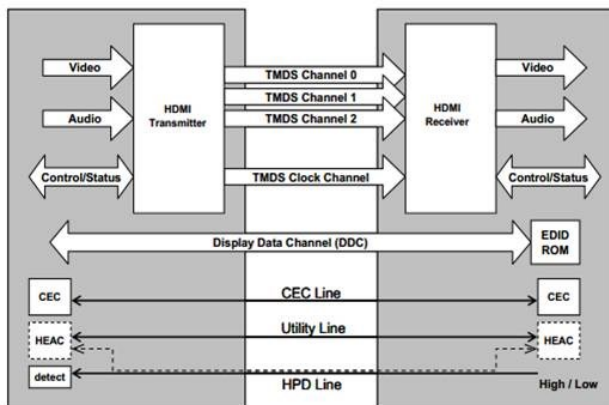
The HDMI Type A/A pluggable interface supports HDMI2.0 4K@60HZ for UHD displays or Projectors.

With support of HDCP2.2/CEC/EDID/HDR and a minimized casing it is suitable and easy for installation.

Transfer high frequency signals by fiber, without EMI, no signal loss 4K@60Hz up to 100m and 4K@30Hz up to 300m

Transmission Distance

1080p	300 m
4K@30HZ	300 m
4K@60HZ	100 m



SPECIFICATIONS:

Interface	HDMI Type A
Bandwith	18.2G (6Gbps/R/G/B Channel)
HDMI/HDCP Version	HDMI2.0/HDCP2.2
Resolution	480P,720P,1080i,1080P,3D,4K@30Hz,4K@60Hz
Cable	Hybrid type with OM3 fiber and copper wire Copper wire: AWG 28.UIT Optical: 50/125 um Multimode Fiber
O/E Converter	4 CH 850nm VCSEL/PIN
Limit bending radius	D15mm,10 circles can work
Holding Tensile	100N (15min)
Power supply	HDMI +5V (Non external power required)
Power Consumption	≤250mW
Support for	Ethernet, CEC, HPD, ARC



GeMNeXT is brand of

AVDIS B.V.
Ambachtstraat 3A
3732 CN DE BILT

The Netherlands

www.gemnext.com

info@gemnext.com

+31- (0)85 2100 614