

EXT-UHBT100-SET HDMI over HDBaseT extender Set



FEATURES:

Supports 4Kx2K@60Hz up to 70 meter and 1080p up to 100 meter
HDCP 2.2. compliant, IR and RS232 Extension
Ultra Thin design

The **EXT-UHBT100-SET** is an ultra-thin HDBaseT Extender set consist of transmitter (EXT-UHBT100-T) and receiver (EXT-UHBT100-R).

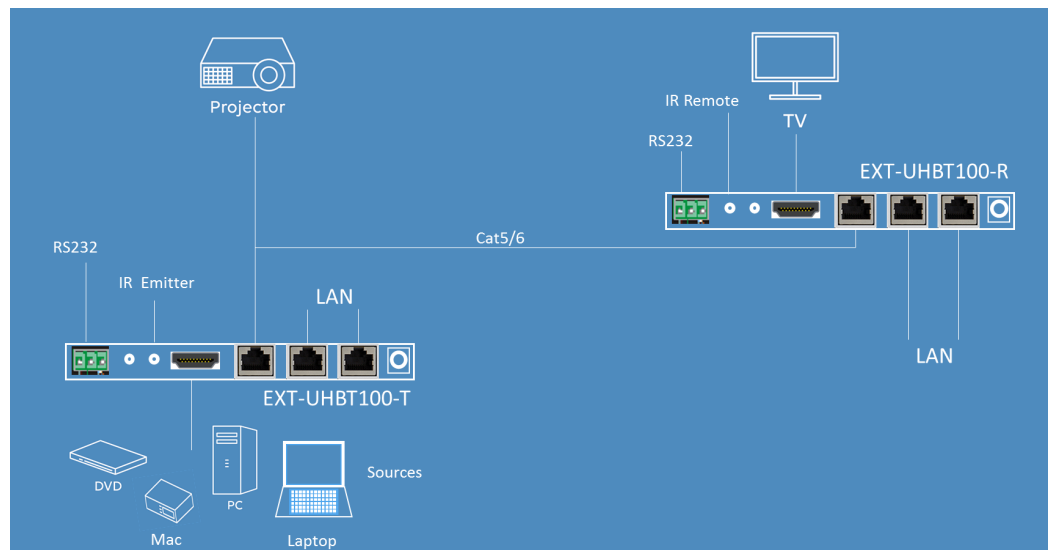
It distributes HDMI signal via CAT5e/CAT6a cable at 100meter/PoE for 1080p and 70 meter 4Kx2K and enables IR and RS232 passthrough to control remote displays.

It also supports Ethernet interfaces for network. It provides a perfect long range transmission solution at a 10.2Gbps bandwidth.

With an ultra thin design and PoE the **EXT-UHBT100-R** receiver is an ideal solution to easily mount behind a display without need of power.

Diagram

UHBT100-T transmitter to UHBT100-R receiver or direct to a projector via Digital Link



SPECIFICATIONS:

Input EXT-UHBT100-T	1 x HDMI, 1 x IR, 1 x RS232
Output EXT-UHBT100-T	1 x HDBT (RJ45), 1 x IR, 1 x RS232
Input EXT-UHBT100-R	1 x HDBT (RJ45), 1 x IR, 1 x RS232
Output EXT-UHBT100-R	1 x HDMI, 1 x IR, 1 x RS232
Ethernet Port EXT-UHBT100-T	2 x Ethernet port (RJ45)
Ethernet Port EXT-UHBT100-T	2 x Ethernet port (RJ45)
Ethernet Speed	Adaptive 10M/100M (max), full duplex or half duplex
Signal Standard	4Kx2K/60Hz & HDCP 2.2
Audio	Digital Audio, transmit through HDMI audio
Transmission Distance	1080p @ 100 meter, 4Kx2K @ 70 meter
Power supply Input	100VAC ~ 240VAC, 50/60Hz
Power supply Output	24VDC / 1,25A
Power dissipation	Max 12W
Operating Temperature	0°C ~ 50°C
Operating Humidity:	10% ~ 90%
Dimension	152 x 16.2 x 84 mm
Weight	186 gram for EXT-UHBT100-T / 186 gram for EXT-UHBT100-R

GeMNeXT

GeMNeXT is brand of

AVDIS B.V.
Ambachtstraat 3A
3732 CN DE BILT

The Netherlands

www.gemnext.com

info@gemnext.com

+31- (0)85 2100 614