

KVM-SW-4X1-H2

HDMI 4 port KVM Switch

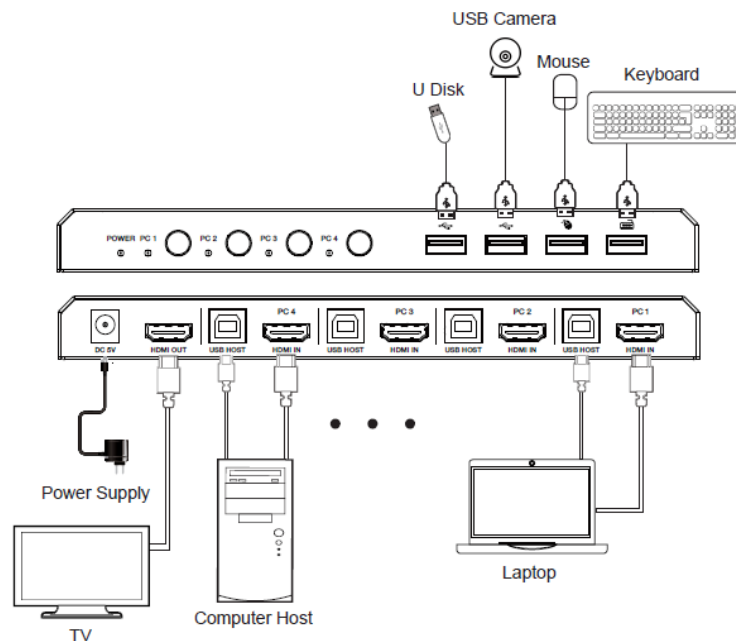


FEATURES:

- HDMI 2.0, HDCP 2.2 & USB 2.0
- Supports 4K2K@60Hz 4:4:4
- Support input auto switching
- Support HDR, HDR10, HDR10+

The KVM-SW-4X1-H2 KVM switch combines 4K HDMI and USB to switch PC's. This KVM switcher can switch 4 HDMI input device signals (such as PC, laptop, Mac) to 1 HDMI display device (such as TV, projector, LED display) and realize 4 signal source devices to share 1 display device. It supports video resolution up to 4K2K@60Hz 4:4:4. The product is designed with 4 x USB2.0 input ports and 4 x USB (2xUSB2.0, 2xUSB1.1) output ports, so that you can not only operate 4 source devices with keyboard and mouse, but also can share U disk and printer, which is widely used in various offices.

Diagram



SPECIFICATIONS:

HDMI Compliance	HDMI 2.0
HDCP Compliance	HDCP 2.2 / 1.x
Video Resolution	4Kx2K@24/30Hz, 4K2K@60Hz
Color Space	RGB 4:4:4, YCbCr 4:4:4 / 4:2:2 / 4:2:0
Color Depth	8-bit, 10-bit, 12-bit (1080p@60Hz) 8-bit (4K2K@60Hz YUV4:4:4) 8-bit, 10-bit, 12-bit (4K2K@60Hz YCbCr 4:2:2 / 4:2:0)
HDMI Audio Formats	PCM 7.1CH, Dolby TrueHD and DTS-HD Master Audio
Dimensions	212mm(W) × 82mm(D) × 21mm(H)
Weight	441g
Power Consumption	1.5W (Max)
Operating Temperature	0°C ~ 40°C / 32°F ~ 104°F
Storage Temperature	-20°C ~ 60°C / -4°F ~ 140°F
Relative Humidity	20~90% RH (non-condensing)



GeMNeXT is brand of

AVDIS B.V.
Ambachtstraat 3A
3732 CN DE BILT

The Netherlands

www.gemnext.com

info@gemnext.com

+31- (0)85 2100 614