

EXT-HBT150-SET 18Gbps HDMI over HDBaseT extender Set
with Bi-directional IR, Audio and RS232 (150meter)



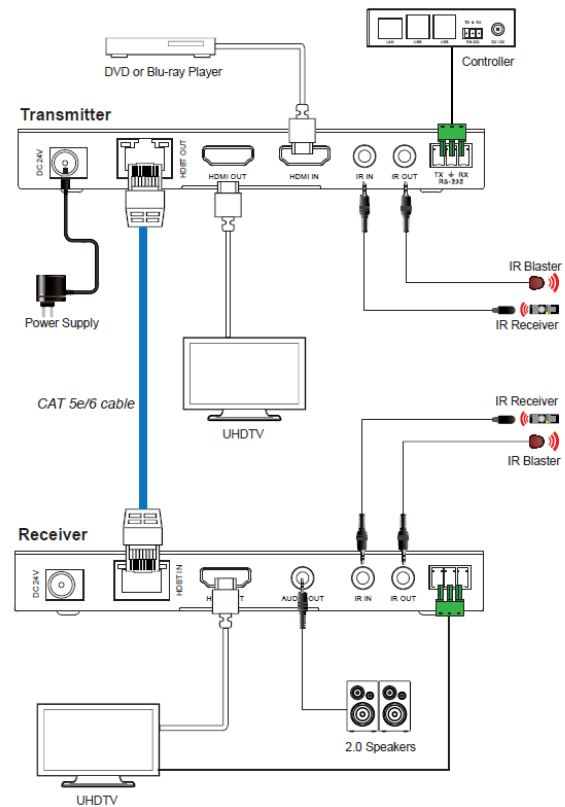
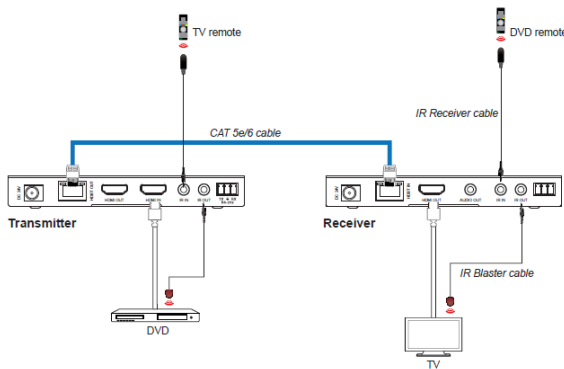
FEATURES:

- Supports 4Kx2K@60Hz up to 120 meter*
- HDMI 1.4 & HDCP 2.2. compliant*
- Bi directional IR, RS232, Audio and*
- Power over single UTP*

The **EXT-HBT150-SET** is an HDBaseT Extender set consist of transmitter (EXT-HBT150-T) and receiver (EXT-HBT150-R). This 18Gbps HDMI Extender can extend high definition video / audio signal, RS-232, bi-directional IR, and the distance is up to 492ft / 150 meters between transmitter and receiver via a single CAT cable. It supports resolution up to 4K2K@60Hz 4:4:4, 18Gbps and HDCP. One HDMI loop port is available for output. It also supports de-embedded audio for L/R audio output and PoC function. In addition, the extender is equipped with two-way IR pass-through which allows for source and display control.

Diagram

HBT150-T transmitter to HBT150-R receiver



SPECIFICATIONS:

HDCP Compliance	HDCP 2.2 / HDCP 1.4
Video Bandwidth	18Gbps
Video Resolution	4K2K 50/60Hz 4:4:4 4K2K 50/60Hz 4:2:2 4K2K 50/60Hz 4:2:0 4K2K 30Hz 4:4:4 1080p, 1080i, 720p, 720i, 480p, 480i All HDMI 3D TV formats All PC resolutions including 1920 x 1200
Color Space	RGB / YCbCr 4:4:4, YCbCr 4:2:2, YCbCr 4:2:0
Color Depth	8/10/12-bit (1080P60Hz, 4K30Hz, 4K60Hz YCbCr 4:2:2/4:2:0) 8-bit (4K60Hz 4:4:4)
HDMI Audio Formats	LPCM 2.0/2.1/5.1/6.1/7.1, Dolby Digital, Dolby, TrueHD, Dolby Digital Plus(DD+), DTS-ES, DTS, HD Master, DTS HD-HRA, DTS-X
Weight	Transmitter: 160g, Receiver: 155g
Dimensions	Transmitter / Receiver: 140mm [W] x 65mm [D] x 18mm [H]
Power Consumption	9,36 W
Power Supply	Input: AC 100 - 240V 50/60Hz Output: DC 24V/1A (Locking connector)



GeMNeXT is brand of
AVDIS B.V.
Ambachtstraat 3A
3732 CN DE BILT
The Netherlands
www.gemnnext.com
info@gemnnext.com
+31- (0)85 2100 614